

LISBON COLLECTION INSTALL INSTRUCTIONS

Getting Started:

Please read through all instructions carefully before you begin installation.

Unpack all materials making sure all components are included:

- Pole(s)
- Drapery rings
- Finials
- Mounting brackets
- Splice, if needed

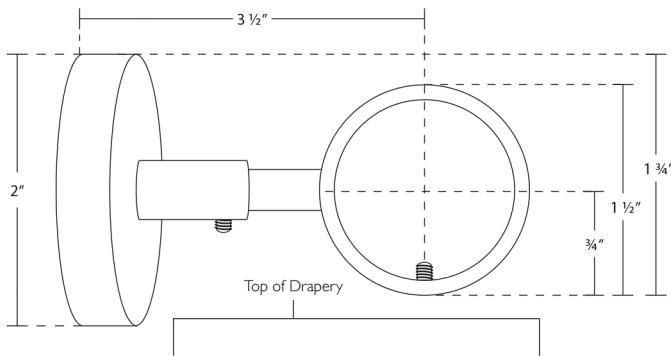
Please note that your brackets must be securely attached to the mounting surface. If your screws do not hit wood studs you'll have to use a different fastener, which can be found at any local hardware store.

Tools You Will Need:

- Drill with a 1/8" bit and a Phillips bit
- Phillips screwdriver
- Metal tape measure

Installing Your Drapery Hardware

IRATI Bracket



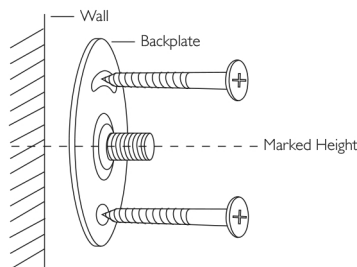
1. Mark

Mark the height you would like the top of drapery pole to be installed. The center of your bracket should be mounted 1 1/2" higher than that mark.

2. Mount

Measure the width of the track. Mark the placement of the two end brackets at the height determined in step 1, approximately 3" – 4" in from the ends of where the track will be installed.

Take the backplate off the bracket and place the center of the backplate at marked height. (remove backplate from the bracket by rotating plate counter clockwise).

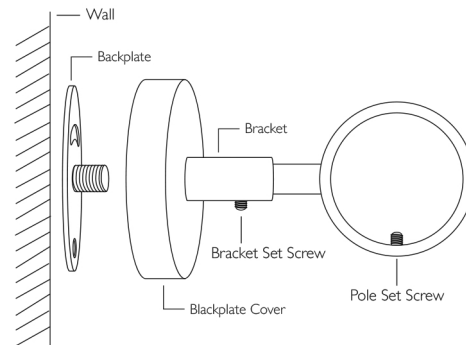


Drill in screws through each hole for a secure mount. Repeat this process for all other brackets evenly spacing them between the two installed brackets.

NOTE: The top of the bracket will rise 1" above the pole.

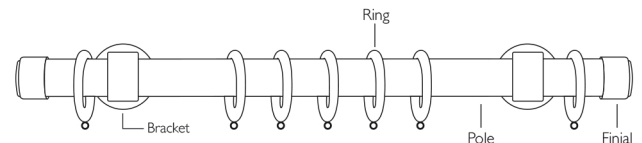
3. Assemble Bracket

Reassemble the bracket onto the backplate. Screw bracket clockwise onto backplate. Turn until tight. Make sure bracket opening is vertical (loosen small hex to adjust and tighten once complete).



4. Attach Rings and Poles

Slide rings onto pole, you may want to leave one ring on the outside of each of the end brackets. Insert pole through bracket



5. Attach Finials

Attach finials to both ends of the pole. Tighten set screws on finials to secure to pole.

LISBON COLLECTION INSTALL INSTRUCTIONS (CONTINUED)

Installing Your Drapery Hardware

FRENCH RETURN Bracket

1. Mark

Mark the height you would like the top of drapery pole to be installed. The center of your bracket should be mounted 1 1/2" higher than that mark.

2. Mount

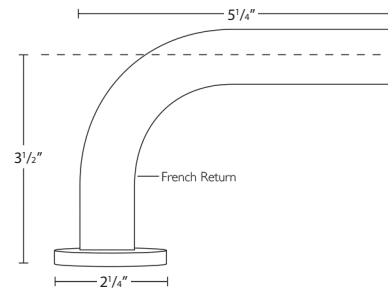
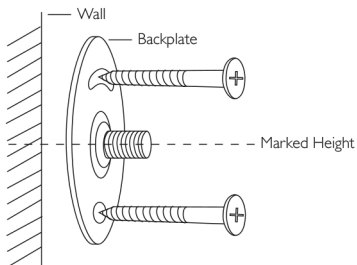
Measure the width of the track. Mark the placement of the two end brackets at the height determined in step 1, approximately 3" – 4" in from the ends of where the track will be installed.

Take the backplate off the bracket and place the center of the backplate at marked height. (remove backplate from the bracket by rotating plate counter clockwise).

Drill in screws through each hole for a secure mount. Repeat this process for all other brackets evenly spacing them between the two installed brackets.

Place decorative base plate cover onto stem of each backplate.

NOTE: The top of the bracket's decorative base plate cover will rise 1" above the pole.



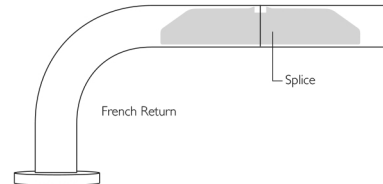
3. Assemble Bracket

Place French Returns and rings onto poles prior to attaching brackets and French Returns to baseplates. Loosen set screws on French Returns prior to attachment.

French Returns – Make sure French Return is attached to pole with splice as seen in image below.

Rings – Make sure that rings are split evenly on either side of or in between brackets.

Tighten set screws onto French Returns to secure hold.



Installing Your Drapery Hardware

OPTIONAL Splice

All pole sets over 96" will come as 2 poles. A center bracket must be used on the splice where the poles meet.

All poles sets over 96" will come as 2 poles.

- Insert splice into open end of each pole.
- Evenly distribute the depth of the splice into each pole.
- Place middle bracket over splice location.

