

# FRANKFURT COLLECTION INSTALL INSTRUCTIONS

## Getting Started:

Please read through all instructions carefully before you begin installation.

Unpack all materials making sure all components are included:

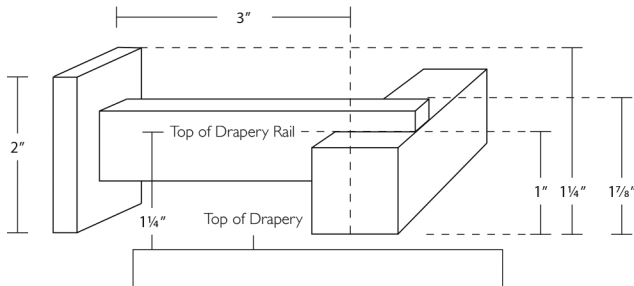
- Rails(s)
- End caps
- Mounting brackets
- Splice(s), if needed

Please note that your brackets must be securely attached to the mounting surface. If your screws do not hit wood studs you'll have to use a different fastener, which can be found at any local hardware store.

## Tools You Will Need:

- Drill with a 1/8" bit and a Phillips bit
- Phillips screwdriver
- Metal tape measure

## Installing Your Drapery Hardware SINGLE WALL BRACKET



### 1. Mark

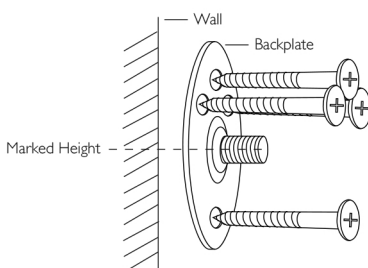
Mark the height you would like the top of drapery pole to be installed. The center of your bracket should be mounted 1 1/4" higher than that mark.

### 2. Mount

Measure the width of the track. Mark the placement of the two end brackets at the height determined in step 1, approximately 3" – 4" in from the ends of where the track will be installed.

Take the backplate off the bracket and place the center of the backplate at marked height. Remove backplate from the bracket by rotating plate counter clockwise.

Drill in screws through each hole for a secure mount. Repeat this process for all other brackets evenly spacing them between the two installed brackets.



**NOTE:** The top of the bracket will rise 1" above the rail.

### 3. Assemble Bracket

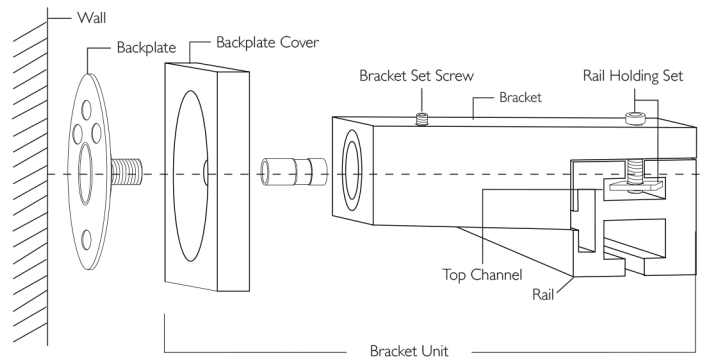
Reassemble the bracket onto the backplate. Screw bracket clockwise onto backplate. Turn until tight. Make sure bracket is facing down (loosen bracket set screw to adjust and tighten once complete).

### 4. Attach Rail to Bracket

Make sure rail holding set is attached to the bracket loosely. (you should receive it this way).

Attach the rail to the brackets making sure holding rail set slips into top channel.

Lock the rail holding set into the top channel using included Allen key.



### 5. Attach End Caps

Attach end caps to both ends of the rail.

## FRANKFURT COLLECTION INSTALL INSTRUCTIONS (CONTINUED)

### Installing Your Drapery Hardware

#### DOUBLE WALL BRACKET

##### 1. Mark

Mark the height you would like the top of drapery pole to be installed. The center of your bracket should be mounted 1 1/4" higher than that mark.

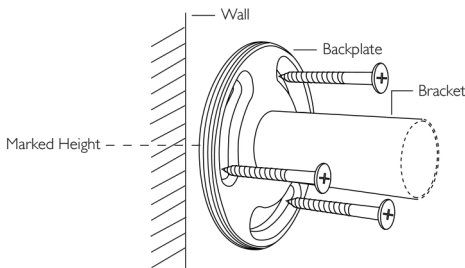
##### 2. Mount

Measure the width of the track. Mark the placement of the two end brackets at the height determined in step 1, approximately 3" – 4" in from the ends of where the track will be installed.

Unscrew back plate cover from back plate. Do not remove bracket from back plate. Place the center of the back plate at marked height.

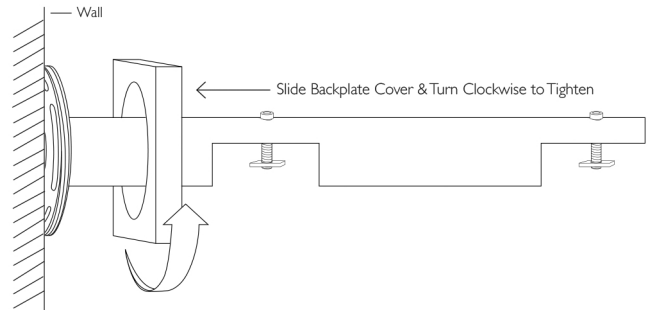
Proceed to install brackets making sure brackets face down. Drill in screws through the 3 slots for secure mount. Repeat this process for all other brackets evenly spacing them between the two end brackets.

NOTE: the top of the bracket will rise 1" above the rail.



##### 3. Assemble Bracket

Reassemble the cover plate onto the back plate. Screw cover plate clockwise onto back plate. Turn until tight.

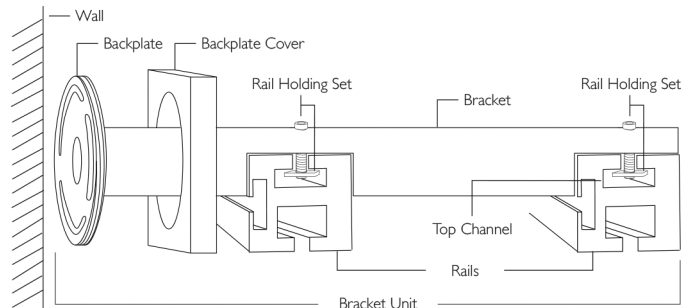


##### 4 Attach Rail To Bracket

Make sure rail holding set is attached to the bracket loosely. (You should receive it this way.)

Attach the rails to the brackets making sure holding rail set slips into top channel.

Lock the rail holding set into the top channel using included Allen key.



##### 5. Attach End Caps

Attach end caps to both ends of the rails.

## FRANKFURT COLLECTION INSTALL INSTRUCTIONS (CONTINUED)

### Installing Your Drapery Hardware

#### CEILING BRACKET

##### 1. Mark (Figure 1)

Mark ceiling where center of rail will be installed. Make sure to clear all obstructions.

NOTE: A minimum of 2 1/2" off the back wall for pleat clearance is required for Ripplefold draperies.

##### 2. Mount

Measure the width of the track. Mark the placement of the two end brackets at the height determined in step 1, approximately 3" – 4" in from the ends of where the track will be installed.

Remove stem cover from bracket by loosening hex screw.

Install center of stem cover on mark. Secure to ceiling with appropriate hardware (consult your local hardware store if necessary for a secure install).

##### 3. Attaching Rail (Figure 2)

Attach bracket stems to rail by sliding rail holding set screw into the top channel. Repeat same for all brackets.

Line up each bracket to the installed stem covers by sliding and setting at appropriate locations. Setting the brackets is done by rotating bracket clockwise until secure.

Slide all brackets onto the installed stem covers and secure by tightening hex screw.

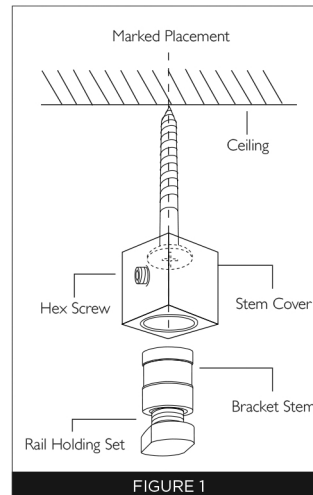


FIGURE 1

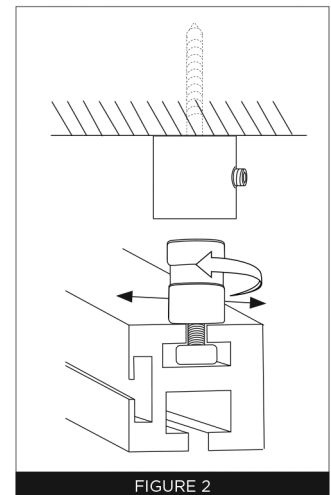


FIGURE 2

NOTE: Double check to make sure brackets are installed properly to avoid rail dislodging from stem covers.

### Installing Your Drapery Hardware

#### OPTIONAL SPLICE

All rail sets over 96" will come as 2 rails. A center bracket must be used on the splice where the rails meet.

- Insert one splice into the top channel of the connecting ends of each rail and one splice into the back channel and butt ends of each track together.
- Lock set screws of splices with included Allen Key.
- Use the set screws on the splice in the back channel to adjust the alignment of each track to one another.
- Remove bottom portion of the Rail Holding Set on your center support bracket.
- Mount the bracket onto the splice using the bolt from the Rail Holding Set. Insert and tighten it into the center hole of the splice in the top channel.

