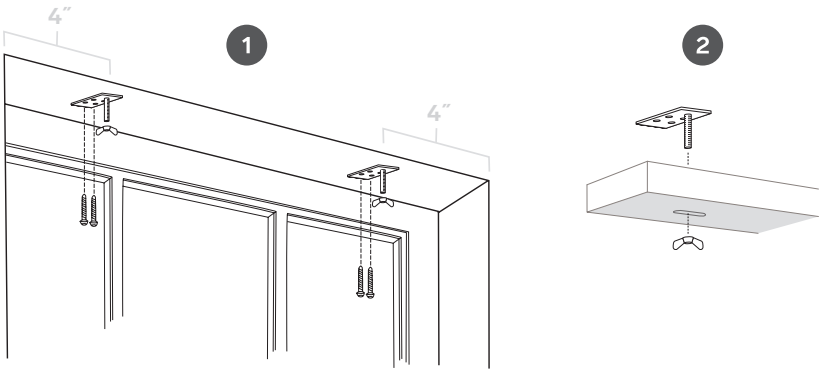


# Installing Soft Shades: Inside Mount

Installation for Inside Mount Soft Shades follows the same process regardless of whether the shade is positioned off the front or the back of the headrail.

The shade's headrail is pre-slotted along the center to accommodate New York style ceiling mount brackets. The first step will be to install these brackets flat against the head of the window frame.

Measure in approximately 4" from each window side jamb and mark these spots on the window frame. Use your level to be sure the marks are even with each other, and confirm that the distance to the window allows space for the shade to move freely as it is raised and lowered. Install the brackets at these points using the two screws provided for each bracket.



If you have a wide shade, you will need to install extra brackets to support it. These are included. Space the additional brackets equally along the width of the window opening, level with the end brackets.

Remove the wing nuts from the bracket studs. Slide the shade headrail slots up onto the bracket studs, making sure that the shade is centered on the window. With the bracket studs coming through the headrail slots, reinstall the wing nuts onto the studs and hand tighten to secure the shade.

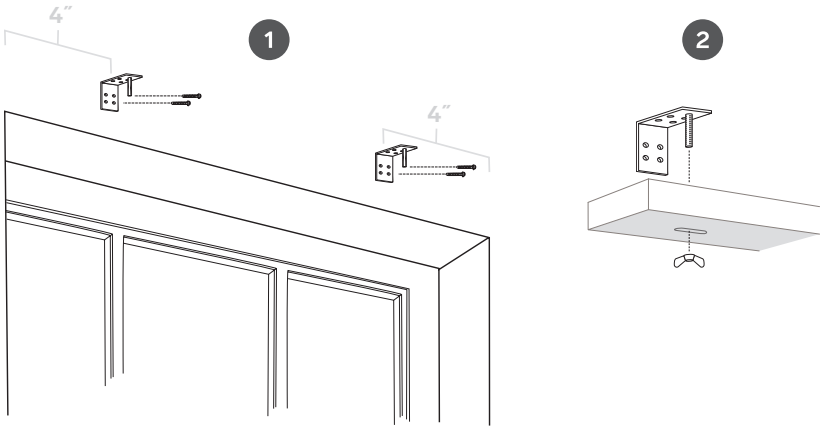
# Installing Soft Shades: Outside Mount

Installation for Outside Mount Soft Shades follows the same process regardless of whether the shade is positioned off the front or the back of the headrail.

**Please note:** When positioned off the back of the headrail, extended brackets will be required for Reverse Fold Roman Shades or shades that are mounted over window trim. This allows space for those shades to move freely as they are raised and lowered. These are included.

The shade's headrail is pre-slotted along the center to accommodate New York style mounting brackets. The first step will be to install these brackets on the wall above the window.

Measure in approximately 4" from each side of the shade and mark this distance on the wall, centered at least 2" above the top of the window trim. Use your level to be sure the marks are even with each other. Install the brackets at these points using the two screws provided for each bracket.



If you have a wide shade, you will need to install extra brackets to support it. These are included. Space the additional brackets equally along the width of the window opening, level with the end brackets.

Remove the wing nuts from the bracket studs. Slide the shade headrail slots up onto the bracket studs, making sure that the shade is centered on the window. With the bracket studs coming through the headrail slots, reinstall the wing nuts onto the studs and hand tighten to secure the shade.